

HPC

Series Top Running & Underhung End Trucks

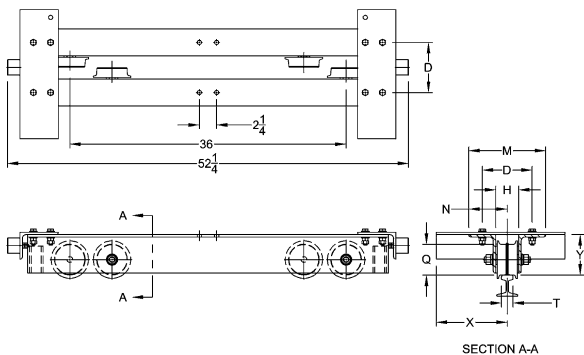
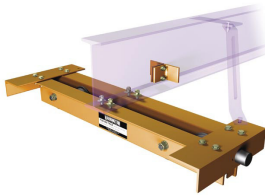
1/2 to 2 metric tonne, convertible push end truck

Kito's HPC convertible push end trucks can be assembled for either top running or underhung light to medium duty applications. Easy to assemble and install, even for non-crane experts!

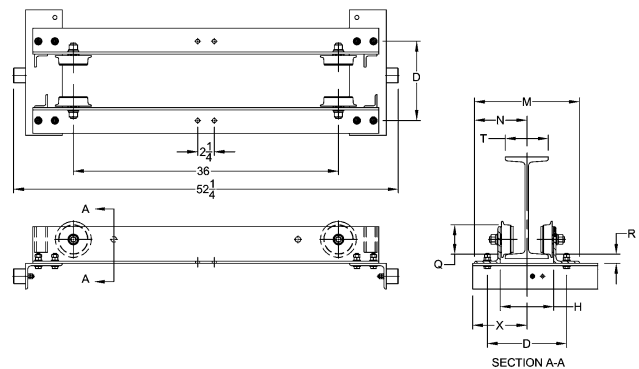
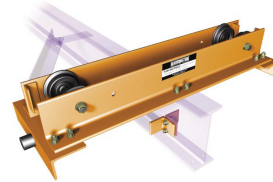
FEATURES

- » Fully machined frames are convertible for either top running or underhung use
- » Frames are fabricated from structural steel for optimal strength and are equipped with rail sweeps, drop stops and rubber bumpers
- » Wheels are ductile iron and precision machined to roll smoothly on either flat or tapered flange

TOP RUNNING



UNDERHUNG



SPECIFICATIONS

Capacity (tonne)	Model	Max span (ft)	T* Flange or Rail Head width (in)		D** (in)	M** End Truck Frame width (in)	N Runway Ctr. Line to outer edge of ET (in)	Q Wheel Tread Dia. (in)	X width Beyond Span (in)	Y Wheel Running Surface to Bridge Beam (in)	R Wheel Running Surface to Bridge Beam (in)	End Truck Weight (lbs/pr)
			Top Running	Under- hung								
1/2	HPC505	24	1.5 - 6	3 - 6	T + 4.75	T + 7.3	M / 2	3.12	10.2 - T / 2	4.3	1.2	156
1	HPC510	24	1.5 - 6	3 - 6	T + 4.75	T + 8.3	M / 2	4.00	10.2 - T / 2	5.3	1.2	214
2	HPC520	24	1.5 - 6	3.3 - 6	T + 4.75	T + 8.3	M / 2	4.88	10.2 - T / 2	5.9	1.1	270