

TCR SERIES

100% quality, 100% of the time.

If you need a hoist with 100 percent duty ratings, fine-feathering controls and quiet operation, you'll love the TCR pneumatic hoist. Lift all day and all night with this workhorse. Smooth starts and stops with variable-speed operation provide extremely accurate load positioning and control. Put this hoist on the top of your list when you need productivity and precision for years on end.

Unlimited Duty Cycle

The TCR air hoist is built for long and demanding work shifts. With its unlimited duty cycle, you can continually operate the hoist without worrying about damage from too many starts per hour.

High-Strength Cast-Iron Housing

Proven to be resistant in harsh environments, the TCR's high-strength cast-iron housing provides a rugged body that stands up to the toughest demands.

Very Fine Feathering Control

The spring-loaded, multi-vane motor design lets you place and position a load exactly where you need it. Gradually control the lift with very fine feathering movements both up or down.

Pre-Set Load Limiter

Protect the hoist and operator while avoiding downtime. The TCR's adjustable, built-in load limiter is pre-set to stop lifting when the load capacity is over-rated, which keeps your job site safer.

Reduced Noise Levels

An external muffler gives you quieter operation and dampened noise levels with no load. The TCR's air-tight body contributes to its comfortable noise levels and makes efficient use of air.



TCR SERIES

CAPACITY

- ¼ to 25 metric tonnes

STANDARDS

- Environmental Protection: IP55 environmental protection, 80.5 dBA at 1 metre
- Operating Conditions: Recommended for -10 to +60° Celsius
- Oil filter and lubricator comes standard in the box

OPTIONS

- Pendant or cord control to meet your needs
- Chain bag to keep chain clean and out of the way
- Custom lift lengths to suit your requirements
- Plain, geared or air trolley mount

BODY

- High-strength cast iron housing for proven weather resistance and durability in harsh environments
- Compact and low profile headroom

GEARS

- Planetary gear box

LOAD CHAIN

- Ultra-strong high performance nickel-plated load chain
- Grade 80

HOOKS

- Forged carbon steel opens gradually without fracturing under excessive loads. Bottom and top hooks swivel 360 degrees
- Self-closing top and bottom hooks with heavy-duty hook latch

OPERATION

- Pendant cord or manipulator control
- Provides outstanding control for fine feathering movements using a spring-loaded multi-vane motor design

BRAKE

- Heavy-duty, self-adjusting brake

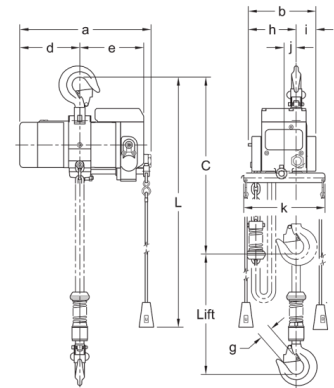
MOTOR

- Air Supply: 60 to 90 psi
- Air-powered, spring-loaded multi-vane
- Speed Control: Full range variable speed control
- Minimum 10 to 15 drops of oil per minute from a max distance of 15 feet
- Maximum 5-micron air filter or finer required
- Unlimited duty cycle

OVERLOAD PROTECTION

- Internal load limiter automatically stops lifting when load is over the rated capacity. Standard on 1/2 tonne model and above
- Standard upper and lower limit switches prevent overtravel in up or down direction

TCR | CORD CONTROL HOOK MOUNT



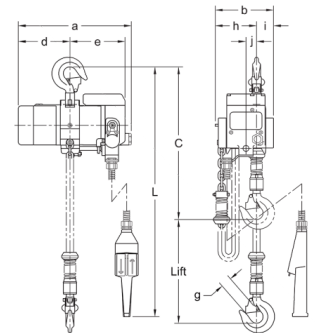
DIMENSIONS

Capacity (tonne)	Model	C	a	b	d	e	g	h	i	j	k
¼	TCR250C	305	287	102	112	175	23	71	33	18	102
½	TCR500C	462	340	175	155	168	28	124	51	33	211
1	TCR1000C2	518	340	185	155	168	28	150	38	56	211
1	TCR1000C	465	340	175	155	168	28	124	51	33	211
2	TCR2000C2	554	340	193	155	168	28	152	40	58	211
3	TCR3000C	564	450	226	229	229	33	48	175	43	211
6	TCR6000C2	673	450	282	229	229	43	64	221	86	211

SPECIFICATIONS

Capacity (tonne)	Model	Standard Lift (ft)	Chain Max Lift (ft)	Pendant Max Lift (ft)	Speeds (90 PSI - ft/min)				Headroom (in)				Load Chain Code	Load Chain Falls	Ship Weight (lbs)	Weight per Additional 5ft of Lift (lbs)	
					Up		Down		Hook Mount Only	Plain Trolley		Geared Trolley					
					with Load	w/o Load	with Load	w/o Load		Hook	Lug	Hook					Lug
¼	TCR250C	10	130	---	30	61	57	45	12	15	10.7	15	---	KED040	1	15	4
½	TCR500C	10	130	---	33	62	52	43	18.2	22	18.6	22	18.6	KER063	1	66	4
1	TCR1000C2	10	65	---	16	31	27	21	20.5	24.6	21.3	24.6	21.3	KER063	2	76	8
1	TCR1000C	10	130	---	19	34	31	21	18.5	22.6	19.2	22.6	19.2	KER071	1	75	5
2	TCR2000C2	10	65	---	10	17	15	10	22.8	28	23	28	21.9	KER071	2	86	10
3	TCR3000C	10	130	---	9	17	13	10	22.2	28.4	21.6	28.4	21.6	KER112	1	150	11
6	TCR6000C2	10	80	---	5	8	7	5	27.2	---	29.5	---	29	KER112	2	196	22
10	TCR10000C2	10	50	---	5.1	7.6	7.2	5.9	35	---	---	---	---	LCTCR10	2	465	19
25	TCR25000C2	10	50	---	1.8	2.2	2.1	1.6	56.7	---	---	---	---	LCTCR25	2	1074	35

TCR | PENDANT CONTROL HOOK MOUNT



TCR500P
Single Fall Pendant Model

DIMENSIONS

Capacity (tonne)	Model	C	a	b	d	e	g	h	i	j
¼	TCR250P	305	287	102	112	175	23	71	33	18
½	TCR500P	462	340	175	155	168	28	124	51	33
1	TCR1000P2	518	340	185	155	168	28	150	38	56
1	TCR1000P	465	340	175	155	168	28	124	51	33
2	TCR2000P2	554	340	193	155	168	28	152	40	58
3	TCR3000P	564	450	226	229	229	33	48	175	43
6	TCR6000P2	673	450	282	229	229	43	64	221	86

SPECIFICATIONS

Capacity (tonne)	Model	Standard Lift (ft)	Chain Max Lift (ft)	Pendant Max Lift (ft)	Speeds (90 PSI - ft/min)				Headroom (in)				Load Chain Code	Load Chain Falls	Ship Weight (lbs)	Weight per Additional 5ft of Lift (lbs)	
					Up		Down		Hook Mount Only	Plain Trolley		Geared Trolley					
					with Load	w/o Load	with Load	w/o Load		Hook	Lug	Hook					Lug
¼	TCR250P	10	130	40	27	55	54	41	12	15	10.7	15	---	KED040	1	19	4
½	TCR500P	10	130	40	33	62	52	43	18.2	22	19	22	18.6	KER063	1	68	4
1	TCR1000P2	10	65	40	16	31	27	21	20.5	24.6	21.3	24.6	21.3	KER063	2	79	8
1	TCR1000P	10	130	40	19	34	31	21	18.5	22.6	19.2	22.6	19.2	KER071	1	75	5
2	TCR2000P2	10	65	40	10	19	15	11	22.8	28	22	28	21.9	KER071	2	86	10
3	TCR3000P	10	130	40	9	18	13	11	22.2	28.4	21.6	28.4	21.6	KER112	1	152	11
6	TCR6000P2	10	65	40	5	9	7	5.6	27.2	---	29	---	29	KER112	2	198	22
10	TCR10000P2	10	50	30	5.1	7.6	7.2	5.9	35	---	---	---	---	LCTCR10	2	476	19
25	TCR25000P2	10	50	30	1.8	2.2	2.1	1.6	56.7	---	---	---	---	LCTCR25	2	1082	35

TCR | MANIPULATOR CONTROL HOOK MOUNT

DIMENSIONS

Capacity (tonne)	Model	C	a	b	d	e	g	h	i	j	k
¼	TCR250C	305	287	102	112	175	23	71	33	18	102

SPECIFICATIONS

Capacity (tonne)	Model	Standard Lift (ft)	Chain Max Lift (ft)	Pendant Max Lift (ft)	Speeds (90 PSI - ft/min)				Headroom (in)				Load Chain Code	Load Chain Falls	Ship Weight (lbs)	Weight per Additional 5ft of Lift (lbs)	
					Up		Down		Hook Mount Only	Plain Trolley		Geared Trolley					
					with Load	w/o Load	with Load	w/o Load		Hook	Lug	Hook					Lug
¼	TCR250M	6	6	6	26	55	54	41	33	36	31.7	36	--	KED040	1	24	--