

KUPLEX® LOAD & SPIRAL PINS

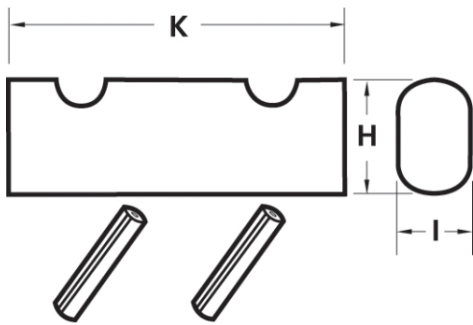
FEATURES

- All Kuplex® components derive their integrity connection from the special Kuplex® Load Pins and Spiral Pins
- The load pins are made from alloy steel heat treated to obtain optimum rated performance properties
- The load pins are specially shaped to develop strength characteristics and resistance to bending under rated load
- The oval shape presents a greater force area than conventional round pins



KUPLEX® LOAD & SPIRAL PINS

DIAGRAM DRAWINGS



KUPLEX® LOAD & SPIRAL PINS

PRODUCTS SPECIFICATIONS

Product	Chain Size Inches	Dim H (in.)	Dim I (in.)	Dim K (in.)	Quantity Per Ctn.
Hooks & Kuplinks	3/4	1.188	1.000	3.125	
Hooks & Kuplinks	7/8	1.250	1.063	3.563	
Hooks & Kuplinks	9/32	0.406	0.313	1.156	
Hooks & Kuplinks	3/8	0.563	0.469	1.656	
Hooks & Kuplinks	1/2	0.719	0.625	2.219	
Hooks & Kuplinks	5/8	0.922	0.781	2.563	
Kuplers	3/4			3.938	
Kuplers	7/8			4.531	
Kuplers	9/32			1.531	
Kuplers	3/8			2.094	
Kuplers	1/2			2.719	
Kuplers	5/8			3.219	
Retaining Pin	9/32				100
Retaining Pin	3/8				50
Retaining Pin	1/2				50
Retaining Pin	5/8				25
Retaining Pin	3/4				10

