

V10™ CLEVIS GRAB HOOKS

For use in chain tightening, tie down, or lifting applications, the V10™ Clevis Grab Hook is your ideal choice. With the entire chain link supported by the chain cradle, 100% of its Working Load Limit is distributed evenly throughout the hook. The V10™ Clevis Grab Hook is engineered to meet or exceed OSHA, Government, NACM, and ASTM standards. All V10™ products are accompanied with a product test certificate.



V10™ CLEVIS GRAB HOOKS

GRADE

- 100

FINISH

- Blue Powder Coat Finish

STANDARDS

- Safety factor 4:1 Meets or exceeds ASTM A952 OSHA 910 Standards
- Fatigue Tested at 1.5 times the WLL for 20,000 cycles
- Proof Tested at twice the WLL

ATTACHMENT

- Clevis

HEAT TREATMENT

- Quenched and tempered before proof testing

ORIGIN

- Made in Italy

HOOK TYPE

- Grab Hook

APPLICATION

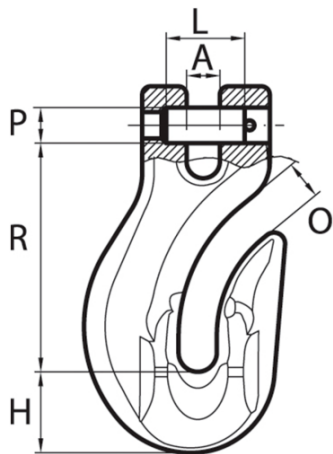
- Overhead Lifting, Chain Tightening, Tie Down
- Chain cradle for optimal chain position and weight distribution

MATERIAL

- Premium Fine Grain Alloy Steel

V10™ CLEVIS GRAB HOOKS

DIAGRAM DRAWINGS



V10™ CLEVIS GRAB HOOKS

PRODUCTS SPECIFICATIONS

Product	Manufacturer Part No.	Chain Size Inches	Chain Size mm	Dim A (in.)	Dim H (in.)	Dim O (in.)	Dim P x L (in.)	Dim R (in.)	Lbs. Per Ea.	Working Load Limit (Lbs.)
8428100	CFX06	7/32	6	0.276	0.689	0.276	0.29 X 0.65	2.008	0.55	2700
8428200	CFX07	9/32 - 5/16	7 - 8	0.354	0.925	0.374	0.38 X 0.91	2.598	1.32	5700
8428400	CFX08	3/8	10	0.453	1.142	0.472	0.49 X 1.16	3.228	2.51	8800
8428610	CFX10	1/2	13	0.571	1.535	0.65	0.63 X 1.46	4.173	4.63	15000
8428710	CFX13	5/8	16	0.709	1.811	0.866	0.79 X 2.05	5.118	8.38	22600
8428810	CFX16	3/4	20	0.866	2.224	1.024	0.94 X 2.87	6.378	16.18	35300
8428910	CFX20	7/8	22	0.984	2.48	1.161	1.06 X 2.80	7.008	21.01	42700